






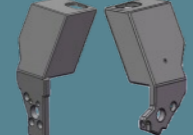


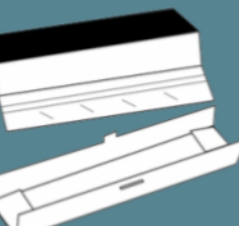



L 24/36 - Scanner Guide

P/N:88M003A

Items

-  x 1
-  x 6
-  x 1
-  x 2
-  x 1
-  x 1
-  x 1
3mm
-  x 1 (LHS)
x 1 (RHS)
-  x 1
-  L24 - x1
L36 - x3
-  x 1
-  x 1
- | ISO % | A4 | A3 | A2 | A1 | A0 | 24" | 36" |
|-------|-----|-----|-----|-----|-----|-----|-----|
| A4 | 100 | 141 | 200 | 283 | 400 | 287 | 432 |
| A3 | 71 | 100 | 141 | 200 | 283 | | |
| A2 | 50 | 71 | 100 | 141 | 200 | | |
| A1 | 35 | 50 | 71 | 100 | 141 | | |
| A0 | 25 | 35 | 50 | 71 | 100 | | |

 x 5

Warnings



Beware of finger trap when opening or closing the scanner.



Beware of exposed electrical connectors if covers removed.



Keep out of direct sunlight.



Do not shock.



Keep dry.



Operating Environment:
Relative humidity 35% - 80%



Temperature 10°C – 35°C

Declaration of Conformity

Energy Star

CB

CE

FCC

UL

VCCI

C-Tick

CCC

GS

BIS

KCC

EAC

BSMI

NOM-019-SCFI

ICES-003

Warning:

This is a Class A product.
In a domestic environment this
product may cause radio
interference in which case the
user may be required to take
adequate measures.

COLORTRAC IMAGING SYSTEM (SUZHOU) CO LTD

#39 DONGJING INDUSTRIAL ZONE, #9 DONGFU RD,
SUZHOU INDUSTRIAL PARK, SUZHOU,
JIANGSU, 215123 CHINA

Model name:	L24, L36
Function:	Large Format Scanner
Rating voltage:	19V
Rating current:	3.42A
Power supply:	FSP065-REBXX (X=0-9,A-Z or Blank)

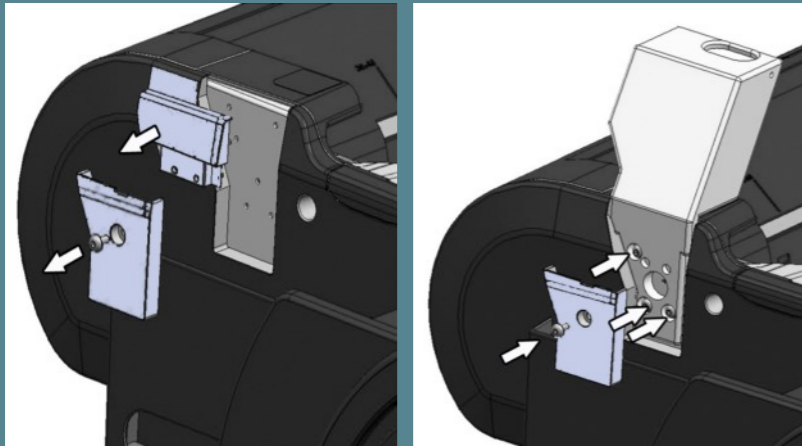
Название модели :	L24 , L36,
Функция :	Широкоформатная сканер
Рейтинг напряжение:	19V
Рейтинг ток:	3.42A
Мощность блок:	FSP065 - REBXX (X = 0-9 , A-Z или пустой)

L 24/36 - Scanner Guide

P/N:88M003A

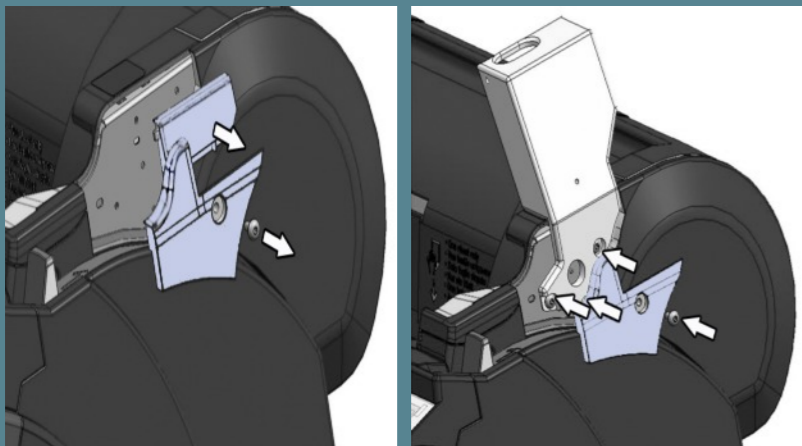
Installation

1



Left side: Remove panels from the printer as shown. Fit the left scanner mount using 3 of the screws supplied, and then replace lower cover only.

2



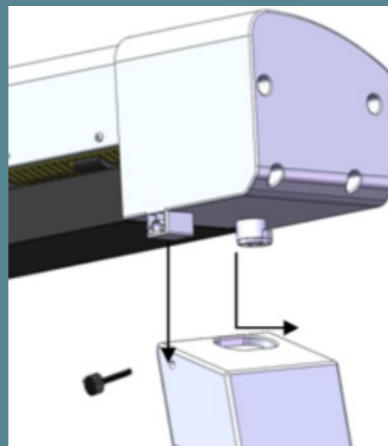
Right side: Remove panels from the printer as shown. Fit the right scanner mount using 3 of the screws supplied, and then replace lower cover only.

3



Place scanner on scanner mounts.

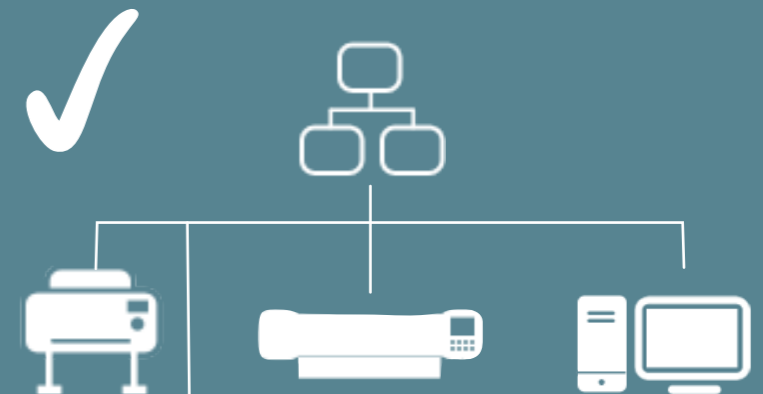
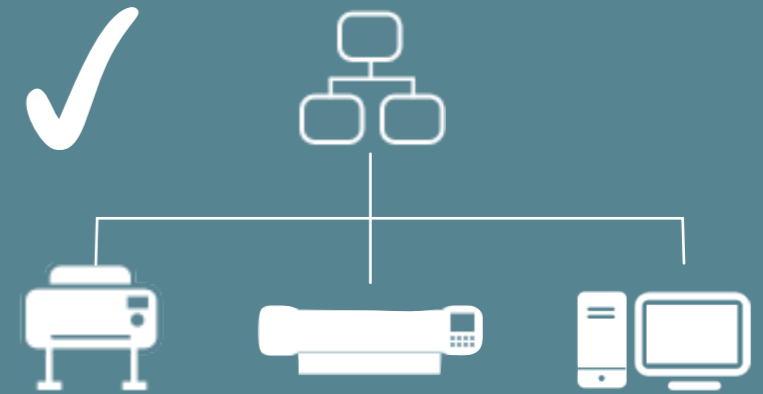
4



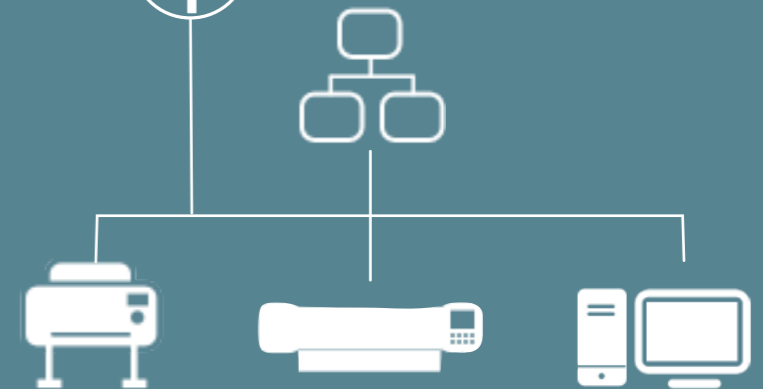
Place the scanner's feet in the holes on top of the scanner mounts and pull the scanner to the front. Secure in place using the 2 thumb screws provided.

5

Only one L series MFP system per network subnet.



192.168.001.XXX
255.255.255.000



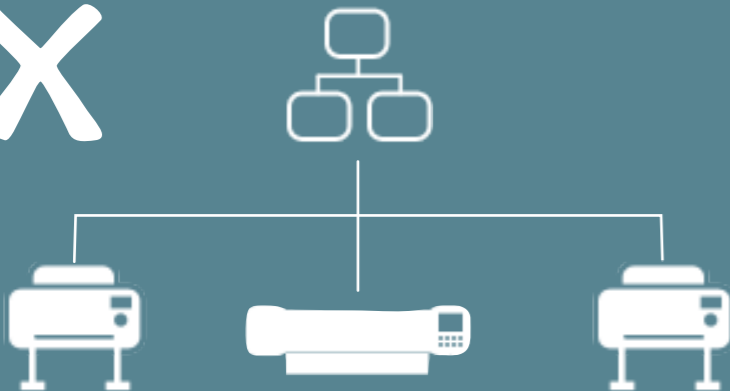
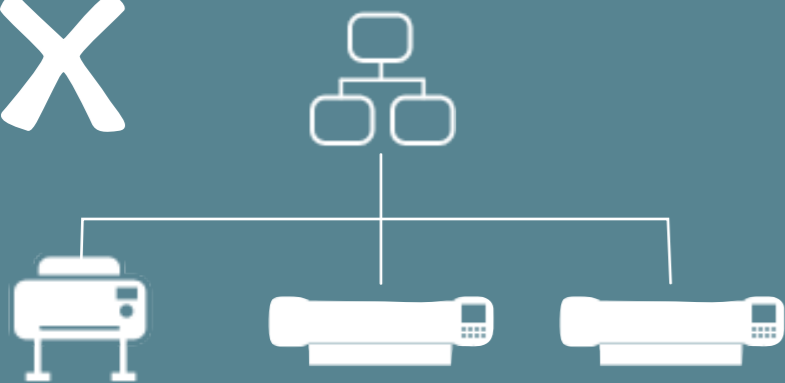
192.168.002.XXX
255.255.255.000

L 24/36 - Scanner Guide

P/N:88M003A



Only one L series MFP system per network subnet.
(See Troubleshooting 3)

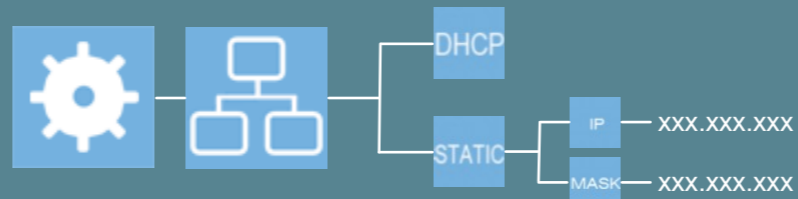


6



Power on.

7



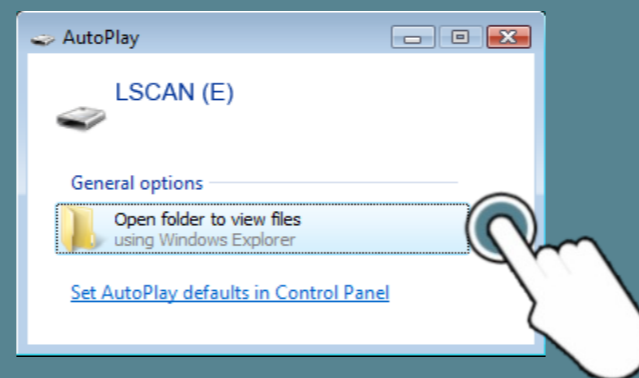
Configure scanner network address.

8



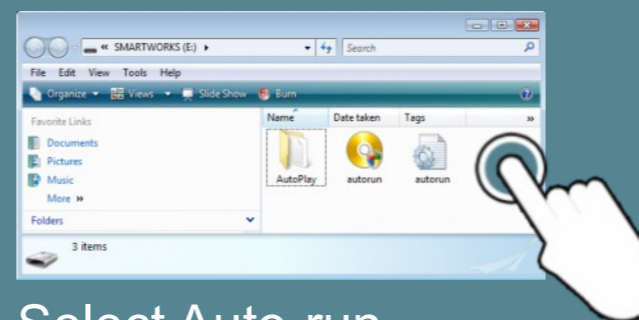
Insert CD into PC.

9



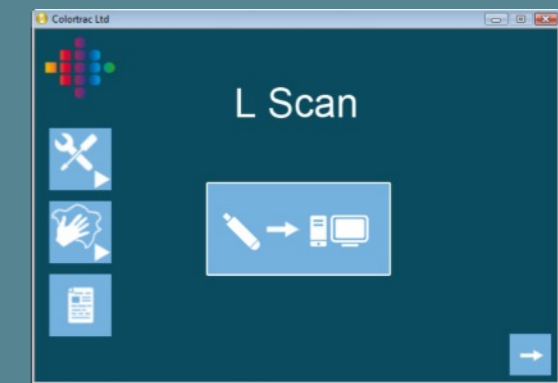
Browse CD.

10



Select Auto-run.

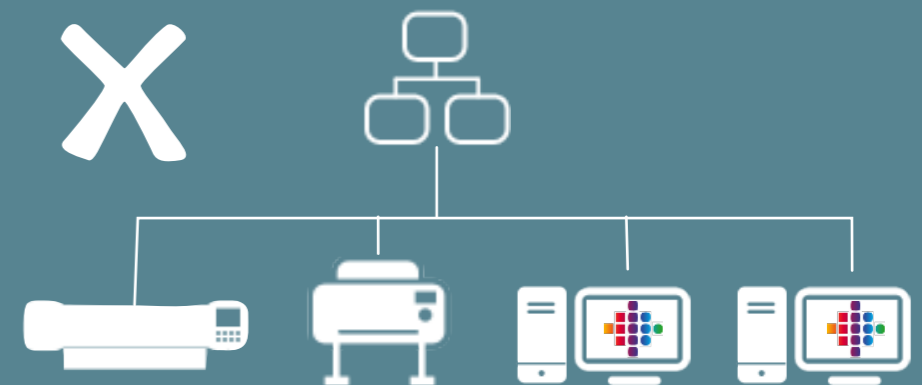
11



Install "L Scan App".
Select Maintenance videos.
Select documentation folder.



Only one L Scan App per network subnet.
(See Troubleshooting 3)



L 24/36 - Scanner Guide

P/N:88M003A

COPY

1



Insert document into the centre of the scanner, face up.

2



Select COPY function and press the Green button.

3



Collect your copy from the printer.

SCAN to USB

1



Insert USB memory stick (FAT32, 128GB max).

2



Insert document into the centre of the scanner, face up.

3



Select SCAN to USB function and press the Green button.

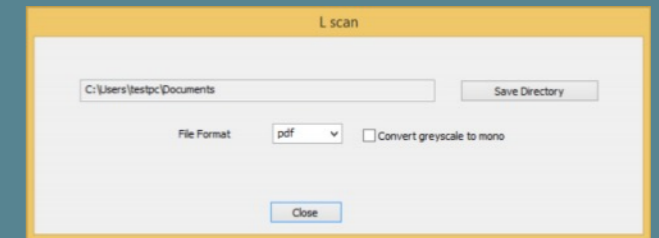
4



Wait before removing USB stick.

SCAN to PC

1



Ensure "L Scan App" is running on one PC only.

2



Insert document into the centre of the scanner, face up.

3



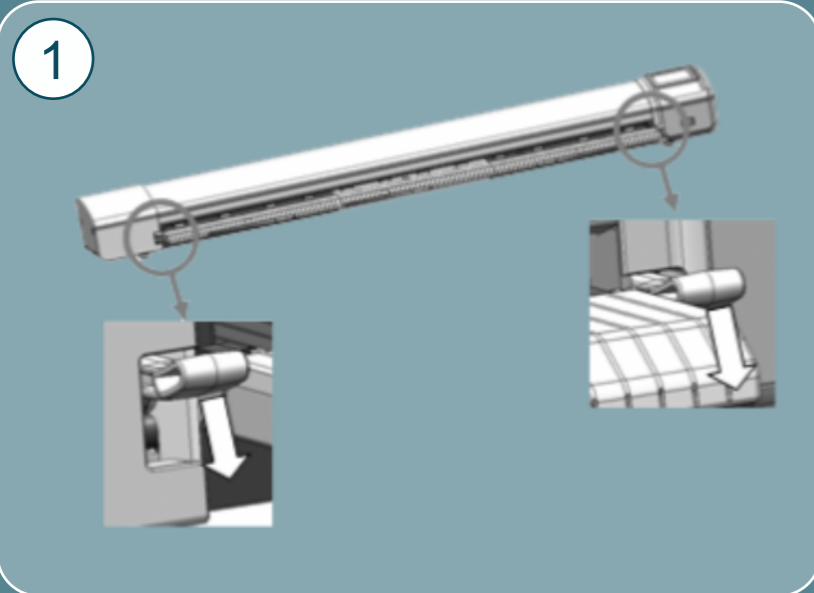
Select SCAN to PC function and press the Green button.

4

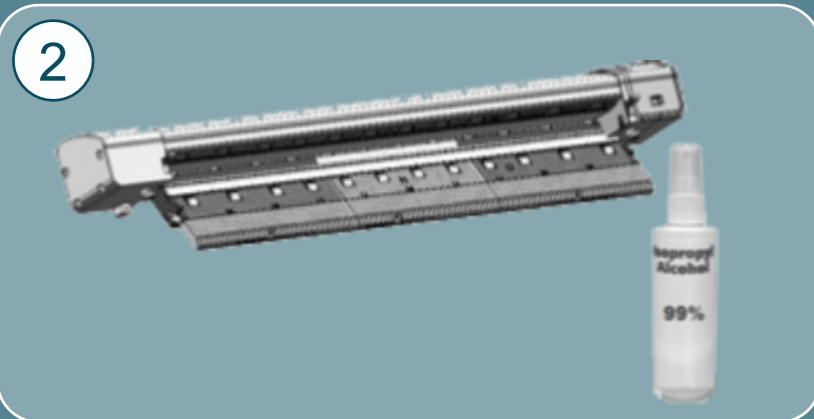


Wait for transfer to PC.

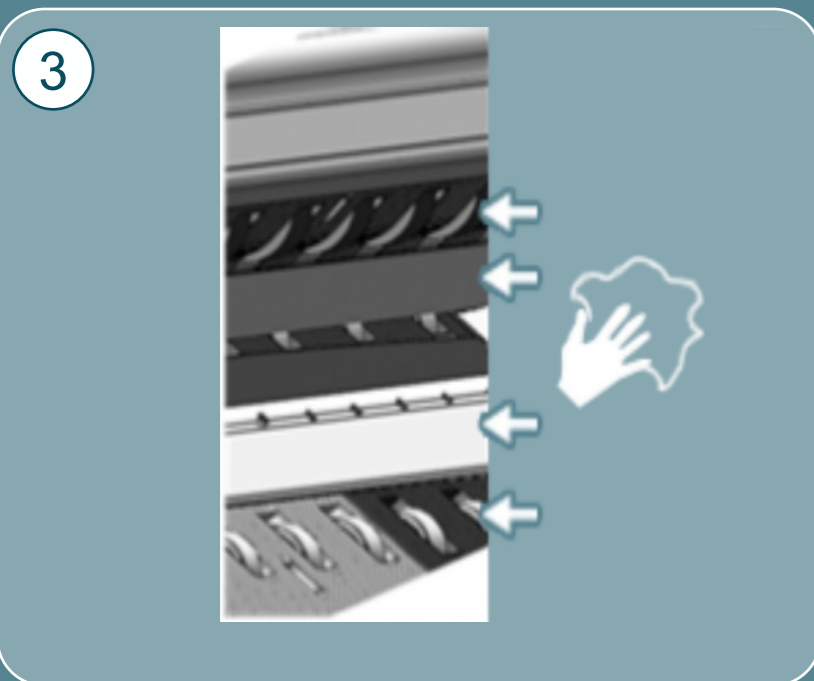
Cleaning



Open the scanner.



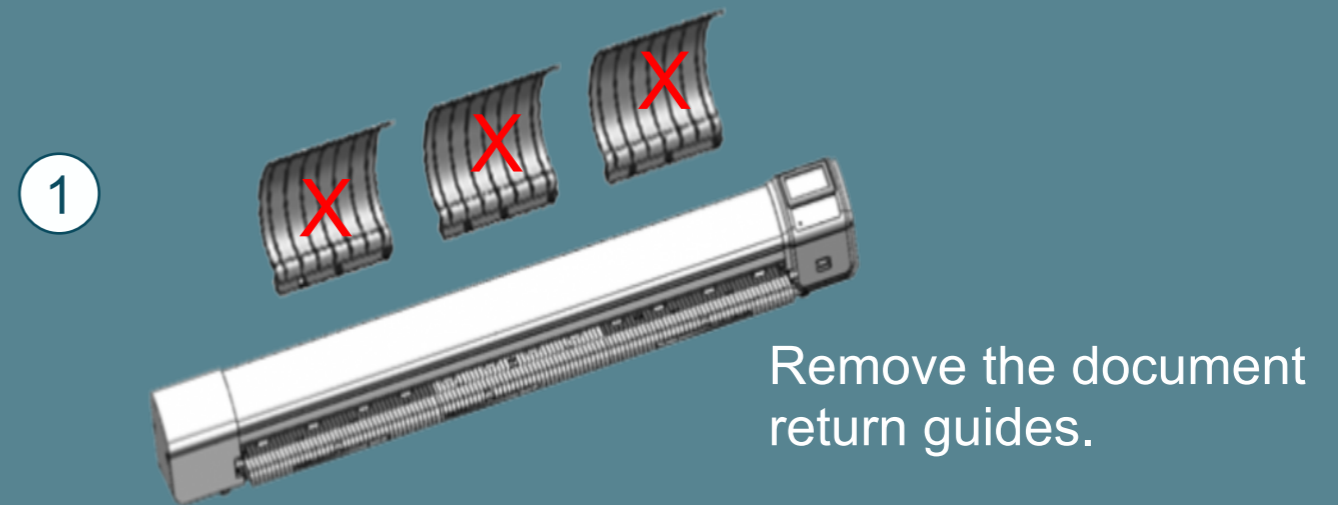
Spray 99% isopropyl alcohol onto a lint free cloth.



Clean
-Top drive rollers
-Scan glass
-Hold up plate
-Bottom rollers

Rotate rollers by hand to clean all round.

Calibration



Remove the document return guides.



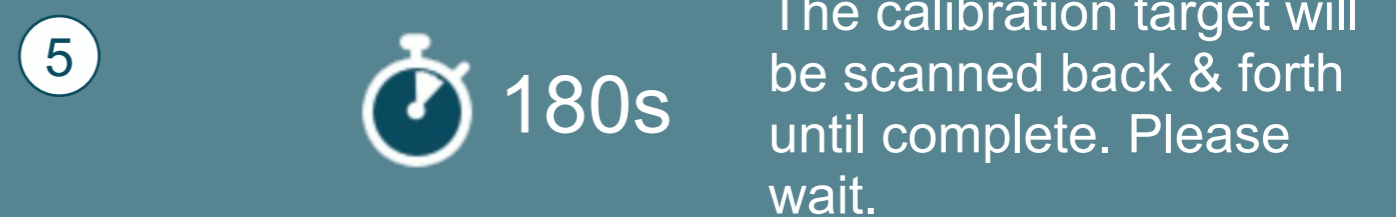
Insert the calibration target into the scanner Face up, black end first.



Select the Settings.



Select Calibration.



The calibration target will be scanned back & forth until complete. Please wait.

Firmware

1



Extract the firmware zipped files to the root of a USB memory stick.

LFW

FAT32, ≤ 128G

2



Place the USB stick into the scanner.

3



Select Settings.

4



Select Firmware Update.

5



Please wait until the firmware has loaded into the scanner and the scanner has rebooted.

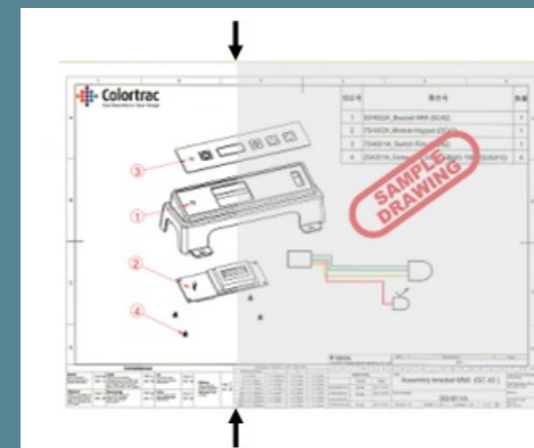
Troubleshooting

1

Scan to PC: Scanner stops mid scan. After small wait, document is ejected and the scan received on the PC is truncated.

Network or PC is too slow to keep up with data transfer rate from scanner. Check network & PC or select a lower scan Quality mode.

2



Variations in background. Clean and calibrate the scanner.

3

The scanner communicates with the printer or L Scan App on the PC via network broadcast. If more than one of the supported printers (iPF 670/671/770/771) is on the subnet, there is no way of defining which printer will receive the copy. Other printer models are not affected. Similarly, if more than one copy of the L Scan App software is running on the subnet, there is no way of defining which PC will receive the scan file. For further information regarding network configurations, please contact your local network administrator.