

Network Camera  
VB-R13VE / VB-R12VE / VB-R11VE / VB-R10VE Installation Guide

Please be sure to read the "Safety Precautions" section for correct use. After reading this Installation Guide, keep it in a readily accessible location for future reference.  
\* Some cameras are not available in certain countries or regions.

**Caution** Request a professional installer for all installation work. Never try to install the camera yourself. Doing so may result in unforeseen accidents such as dropping the camera or electric shock.

**Check Included Items**

Camera	Installation Guide (This document)	Setup CD-ROM
Warranty Card	Notice	Dedicated wrench
Power Interface Cable R13VE R11VE		
I/O Interface Cable (BK2-0035-000) R13VE R11VE		
Power Interface Cable (Waterproof) R12VE R10VE		
LAN Connector Set (Waterproof) R12VE R10VE		

**Symbols Indicating Camera Model**

Camera specific functions will be listed using the symbols below.  
R13VE: VB-R13VE R12VE: VB-R12VE R11VE: VB-R11VE R10VE: VB-R10VE

**Accessories**

The following accessories can be purchased separately as necessary. Some accessories are not available in certain countries or regions.

**Ceiling Mounting Kit CM10-VB**

Dedicated accessory for attaching the camera to the ceiling.

**Wall Mounting kit WM10-VB**

Dedicated accessory for attaching the camera to a wall surface.

**1.5inch Pipe Adapter PA10-15-VB**

Dedicated accessory used to install the camera to the end of pipe that extends from high ceilings, such as in big-box stores.

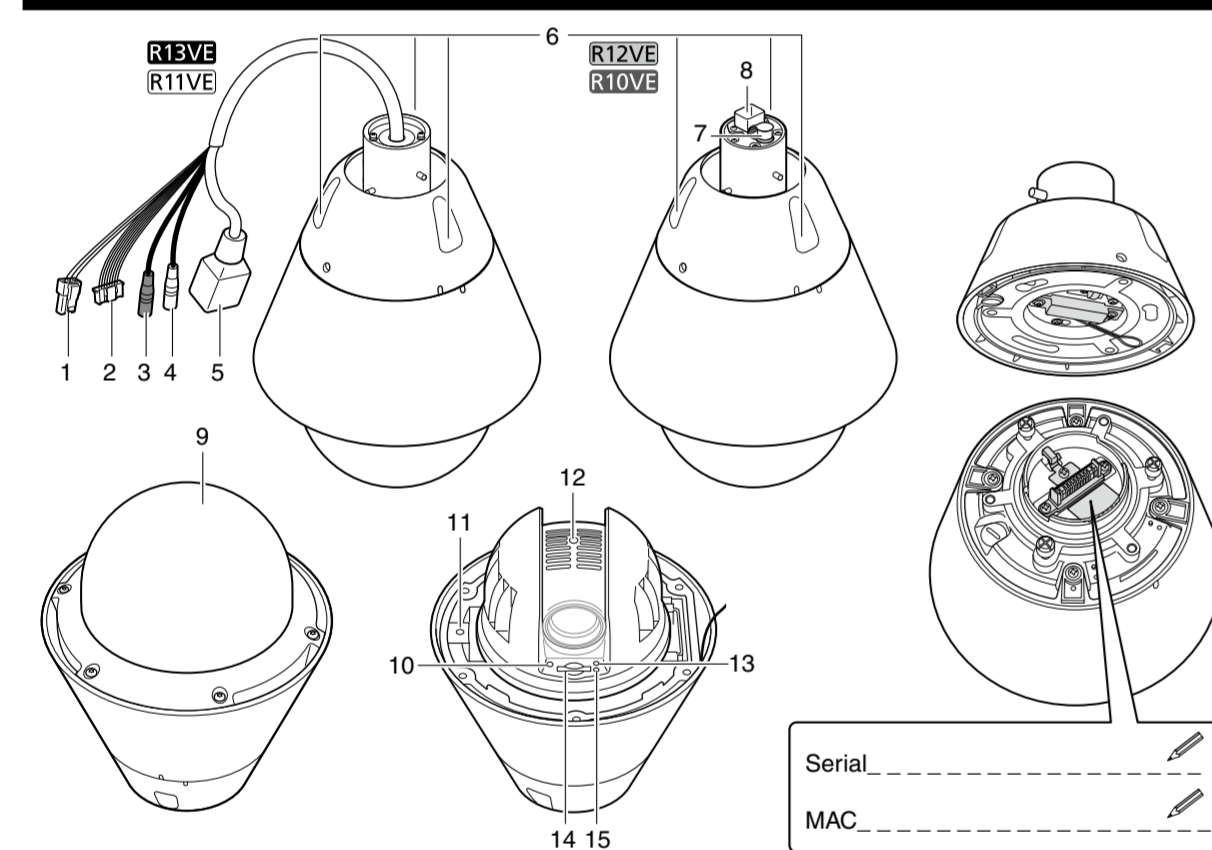
**Dome Unit DU10-S-VB**

Smoked dome cover.

**Canon AC Adapter PA-V18**

Dedicated AC adapter for this camera.

**Part Names**



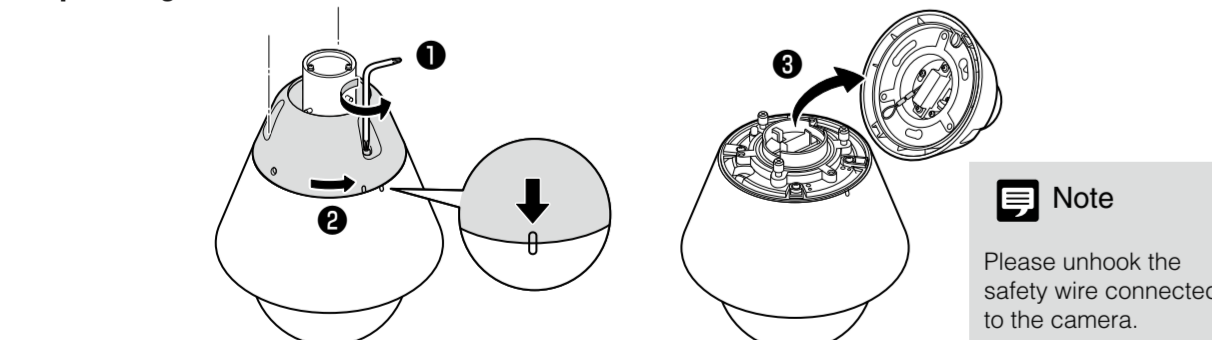
- Power connection terminal R13VE R11VE / 2. External device I/O terminals R13VE R11VE / 3. Audio input terminal (Black) (common LINE IN and MIC IN) R13VE R11VE / 4. Audio output terminal (White) (LINE OUT) R13VE R11VE / 5. 100Base-TX LAN connector R13VE R11VE / 6. Attachment screws / 7. Power connection terminal R12VE R10VE / 8. LAN connector R12VE R10VE / 9. Dome case / 10. Reset switch / 11. Reboot switch / 12. Lens / 13. LED (Orange) / 14. Memory card slot / 15. LED (Blue)

\* On: when powered on, during reboot / Off: during normal use

**Before Installing the Camera**

Set the IP address and other network information on the camera using the "Camera Management Tool" on the Setup CD-ROM. For details on how to operate the "Camera Management Tool", please refer to the "Camera Management Tool User Manual".

**Separating the Camera and Attachment**

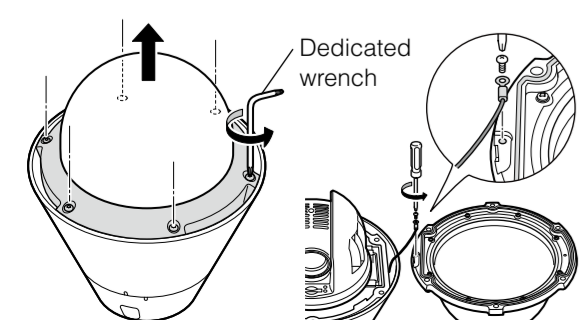


**Note**  
Please unhook the safety wire connected to the camera.

**Removing and Attaching the Dome Case**

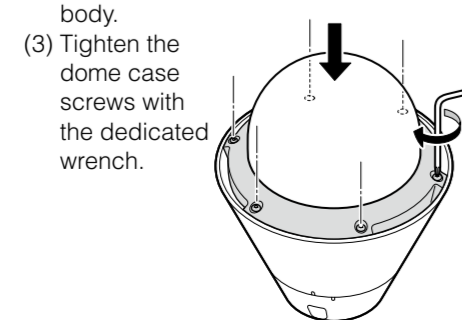
**Removing the Dome Case**

Loosen the screws holding the dome case in place with the dedicated wrench, and remove it. Loosen the screws on the dome case to detach the safety wire.

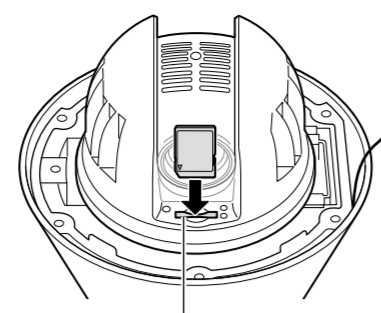


**Attaching the Dome Case**

- Fix the screws in the dome case and attach the safety wire.
- Align the dome case with the camera body.
- Tighten the dome case screws with the dedicated wrench.



**Using a Memory Card**



Memory card slot

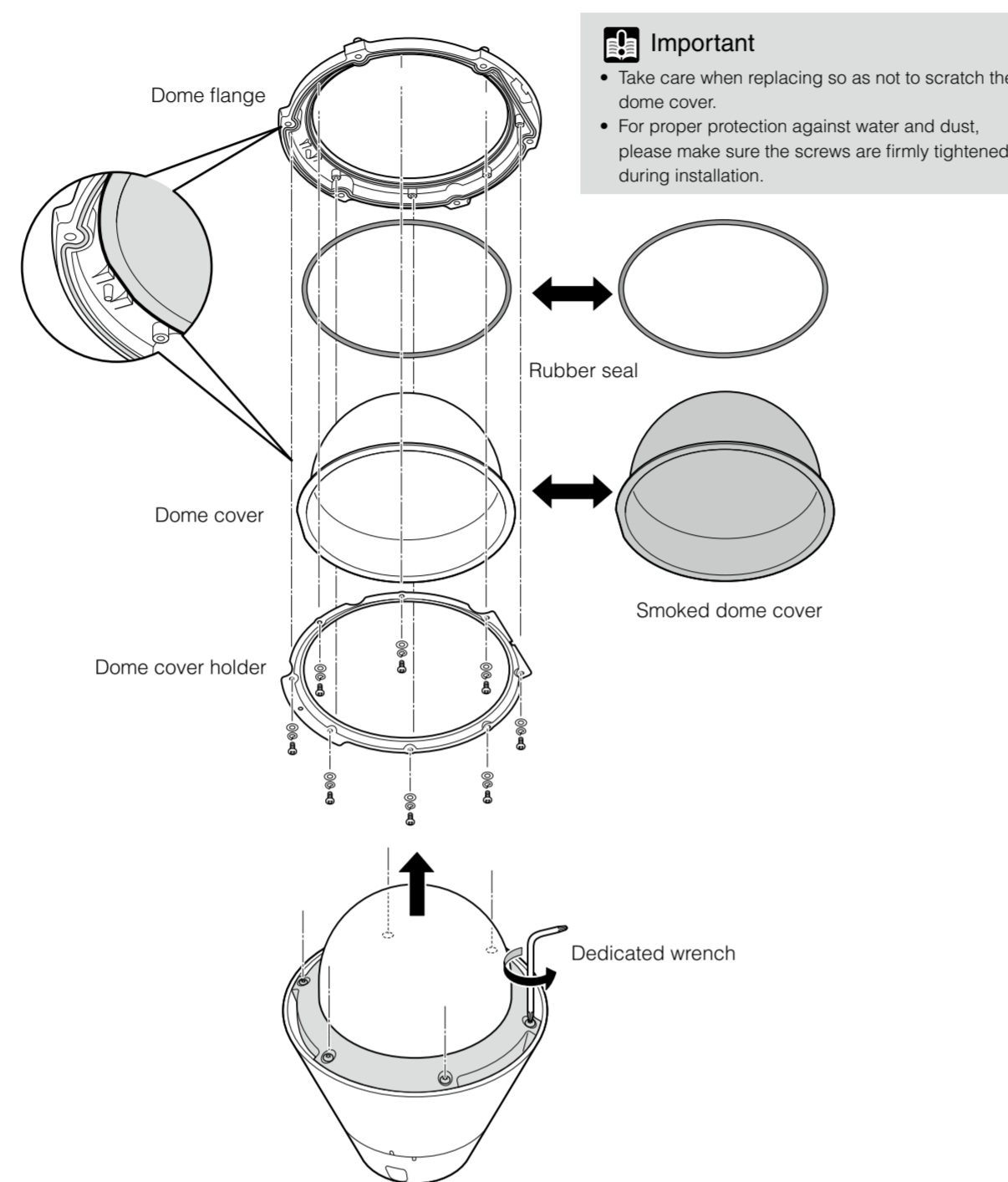
Remove the dome case and place the memory card in the memory card slot. To remove the memory card, push it in all the way until the card slightly pops out and remove.

**Important**

- Insert a memory card before installing the camera.
- When using a memory card with the camera for the first time, it is recommended to format the card after inserting it into the camera (please refer to the "Operation Guide").
- Always unmount the memory card before removing it (please refer to the "Operation Guide").

**Using the Dome Unit (sold separately)**

Remove the dome case from the camera, then remove the dome cover holder and dome flange, and replace with the smoked dome.

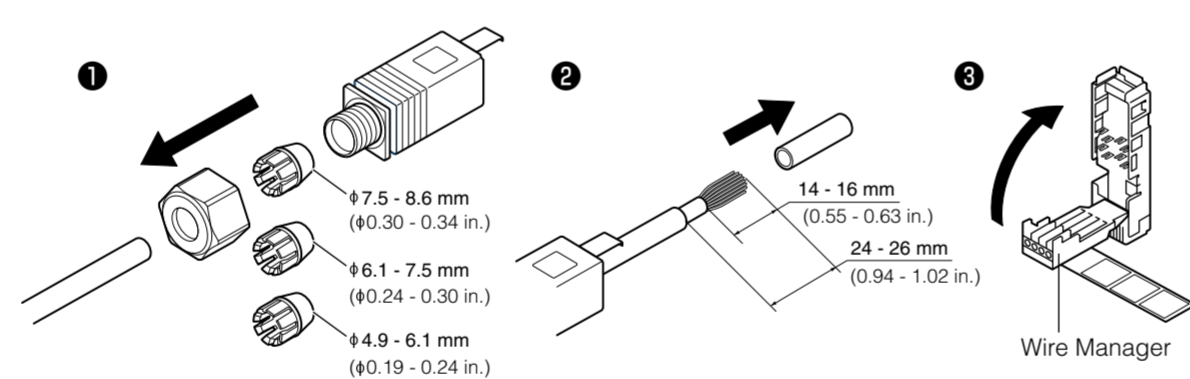


**Important**

- Take care when replacing so as not to scratch the dome cover.
- For proper protection against water and dust, please make sure the screws are firmly tightened during installation.

**Connecting the LAN Connector Set (Waterproof) R12VE R10VE**

Connect the LAN cable to the connector.



**Note**

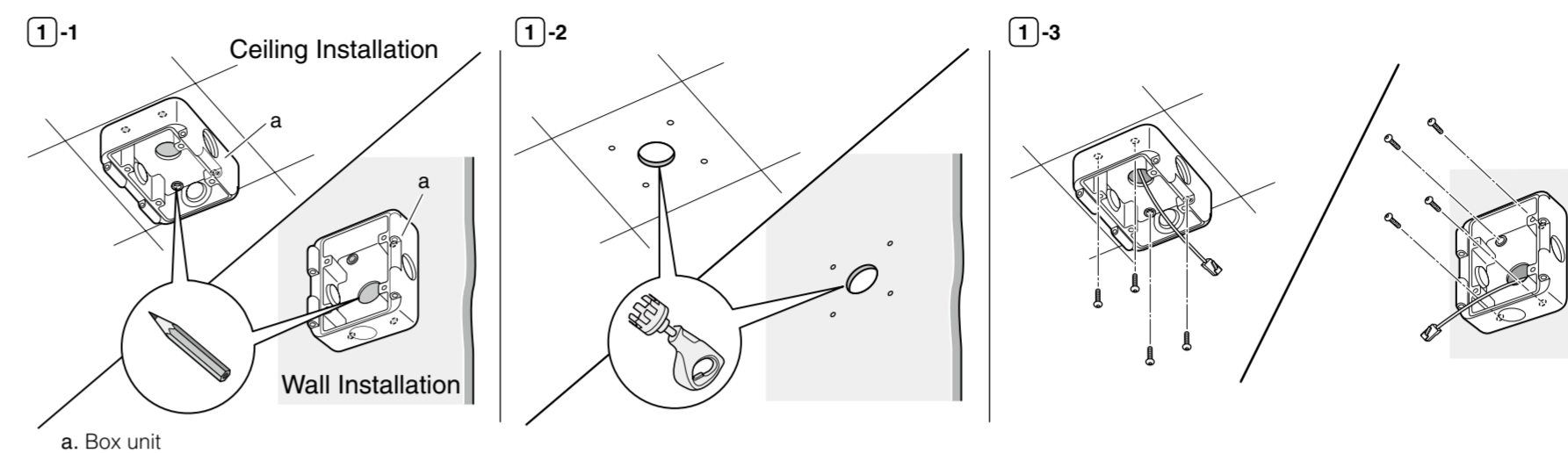
- Align the wires with the terminal settings according to the 568B/568A color coded illustration, and insert them into the wire manager.
- The LAN cable may not be able to be properly inserted or removed from the LAN connector, if the LAN Connector Set (Waterproof) is not used. The cable's water resistance will not be maintained as well.

**Installing the Camera**

1

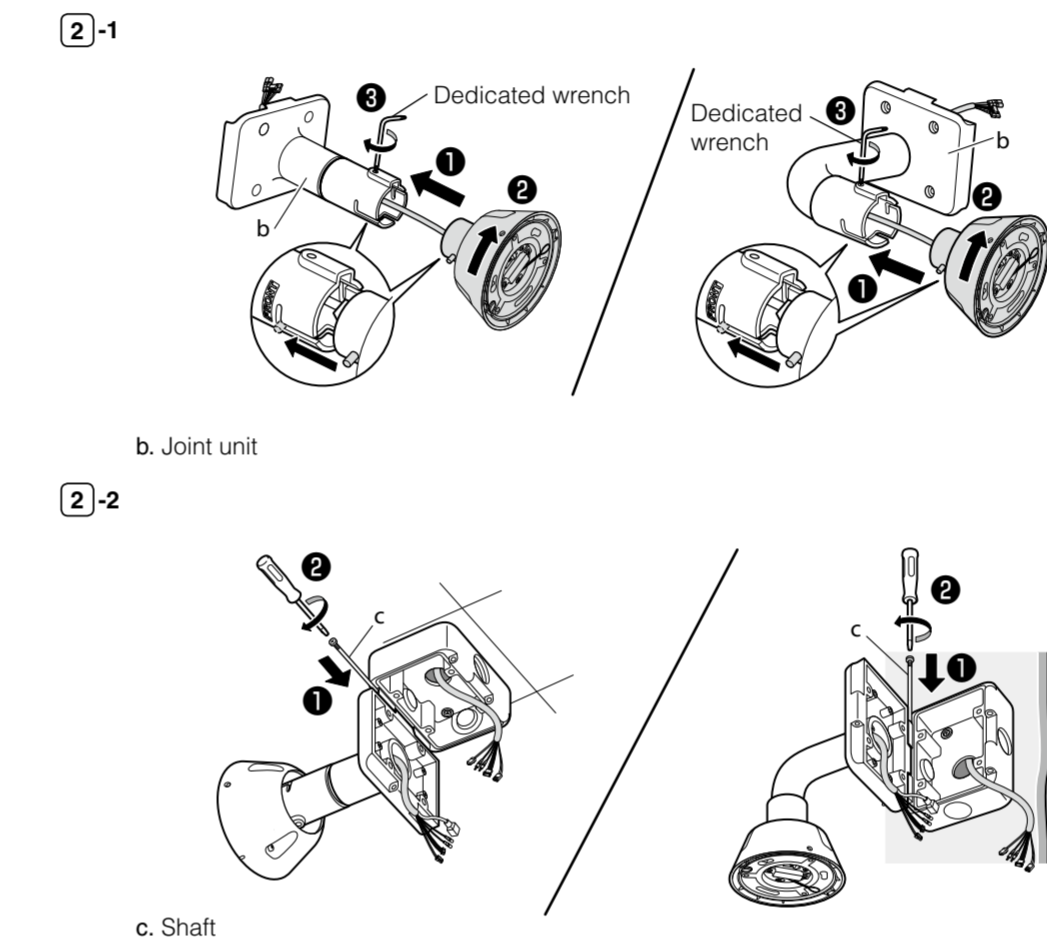
**Attached to ceilings/Attached to walls**

The camera is installed with the optional ceiling mounting kit (sold separately) or wall mounting kit (sold separately). If it is not possible to drill a hole in the ceiling or wall for wiring purposes, a composite pipe can be used instead. Please refer to the installation guide included with the optional ceiling mounting kit and wall mounting kit for further details.

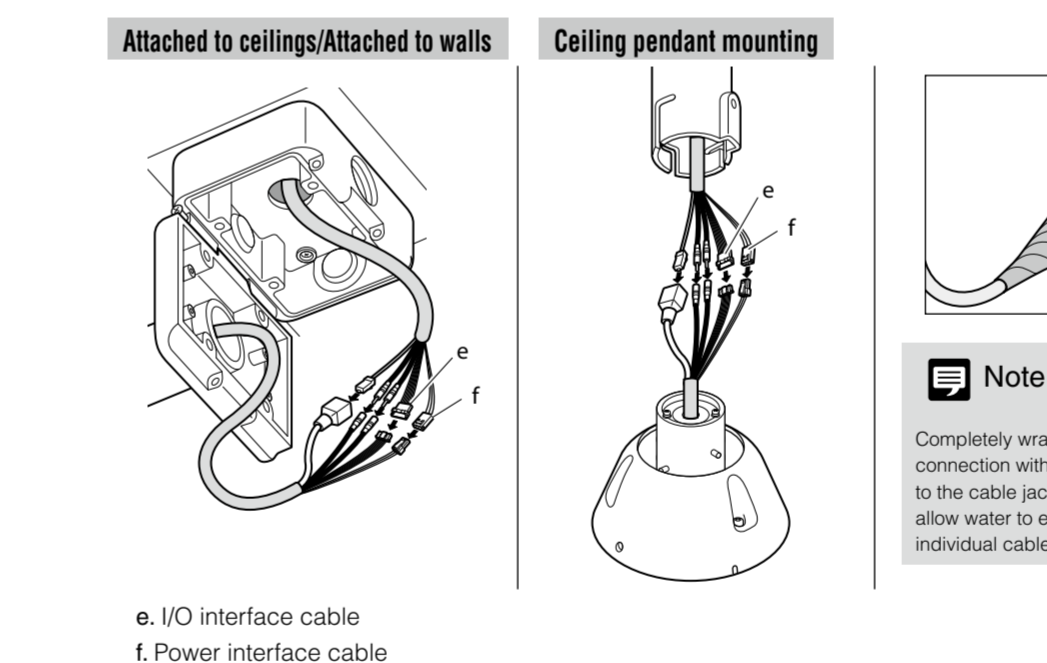


2

R13VE R11VE

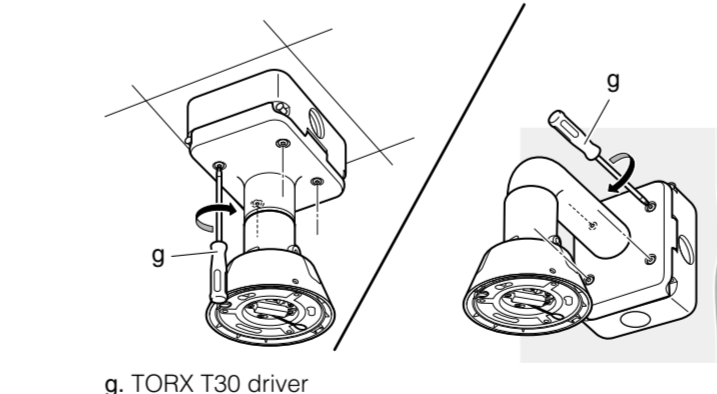


R12VE R10VE

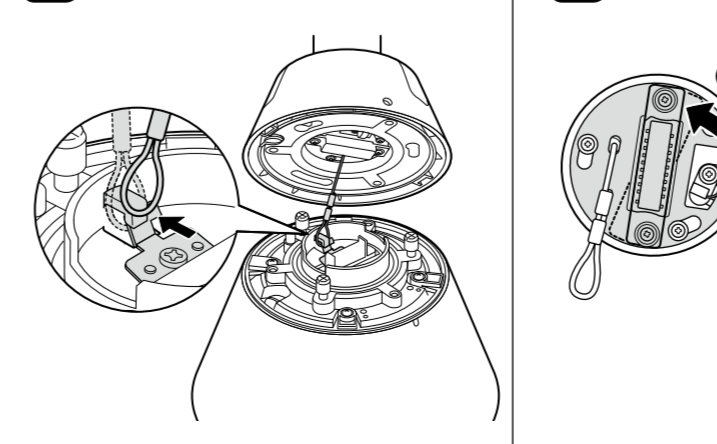


3

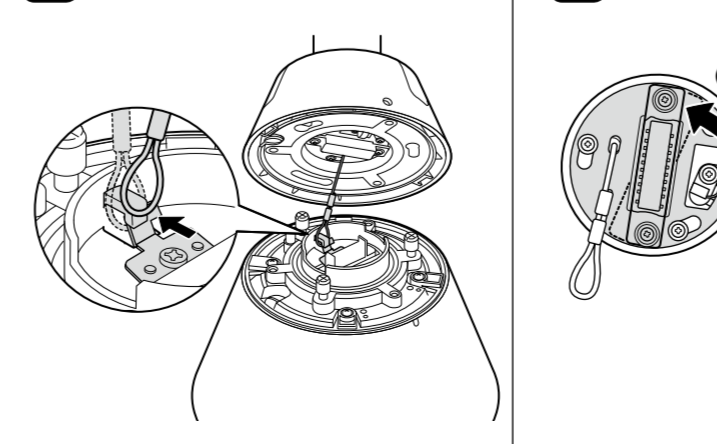
**Attached to ceilings/Attached to walls**



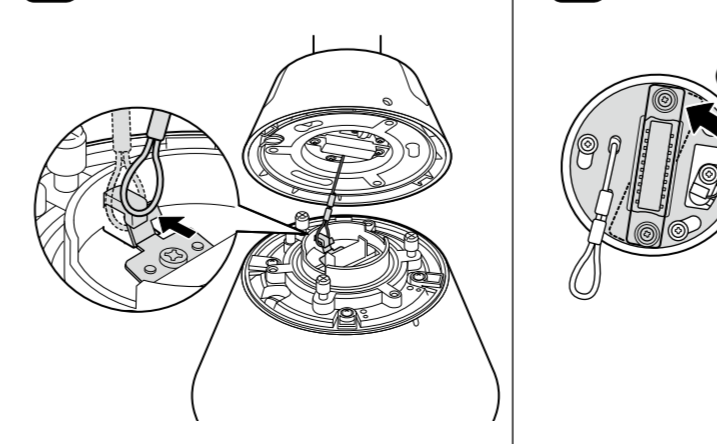
4



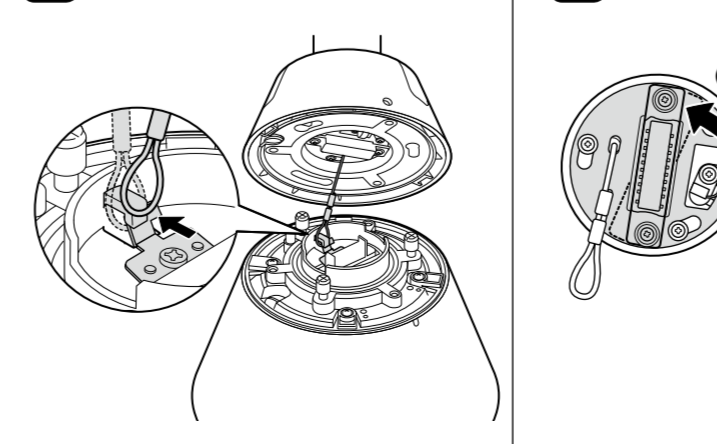
5



6

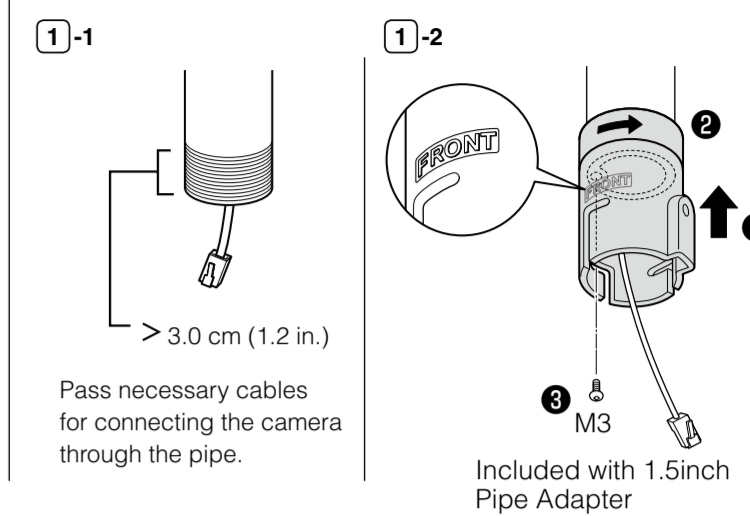


7

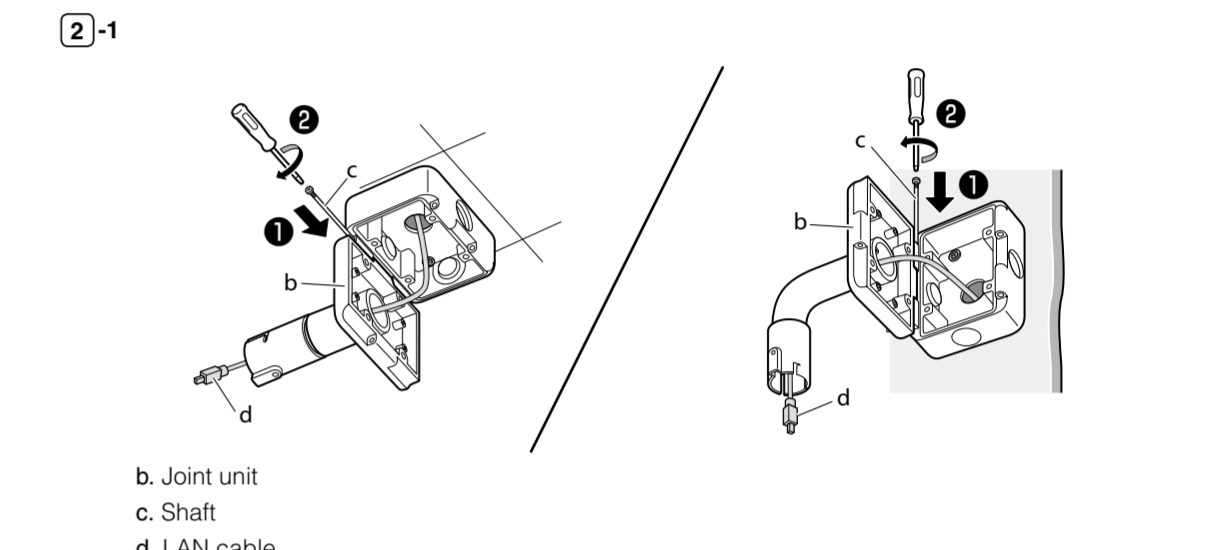


**Ceiling pendant mounting**

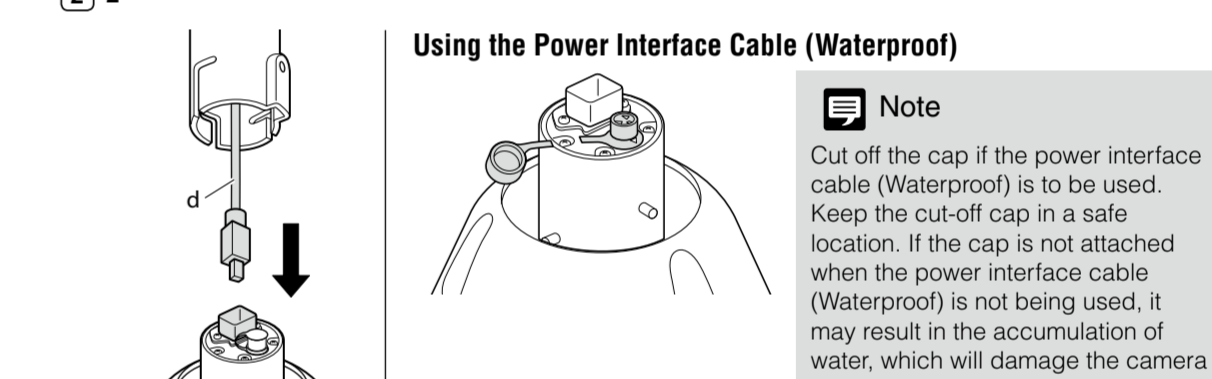
Mount using the 1.5inch Pipe Adapter (sold separately). For details please refer to the Installation Guide included with the kit.



R12VE R10VE



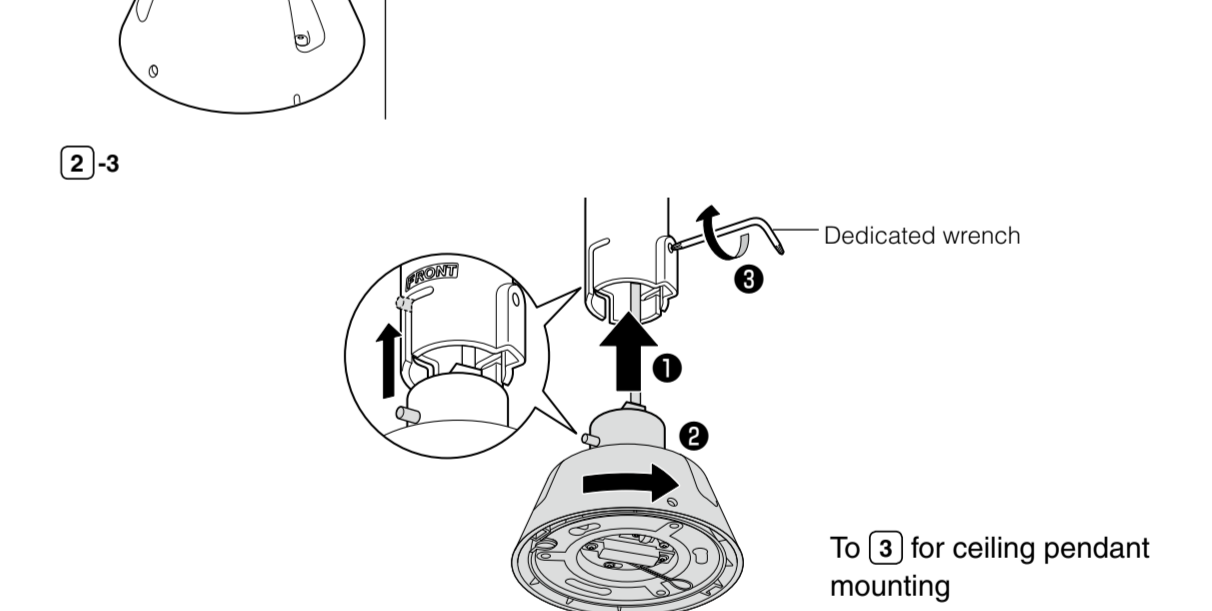
2-2



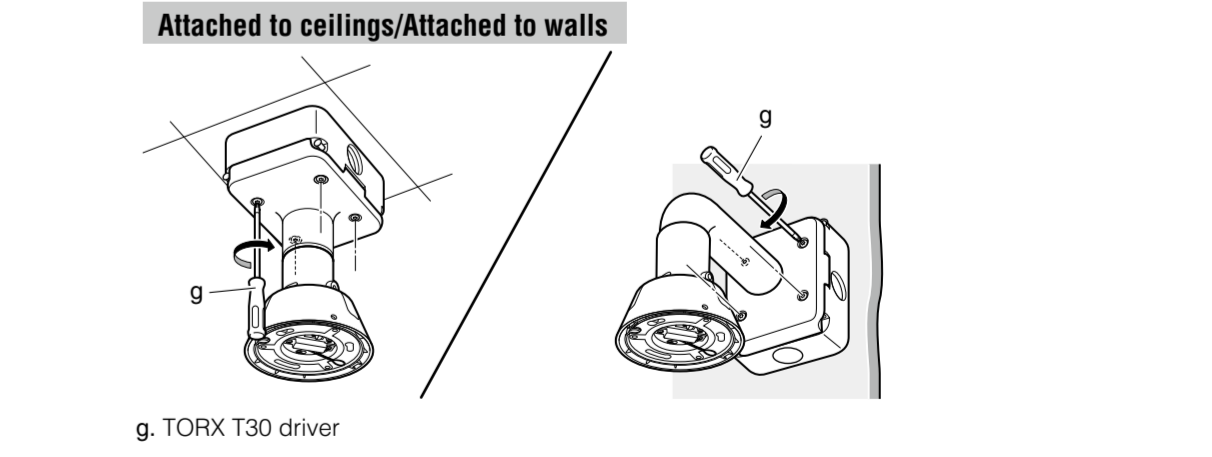
**Note**

Cut off the cap if the power interface cable (Waterproof) is to be used. Keep the cut-off cap in a safe location. If the cap is not attached when the power interface cable (Waterproof) is not being used, it may result in the accumulation of water, which will damage the camera body.

2-3



2-4



3

